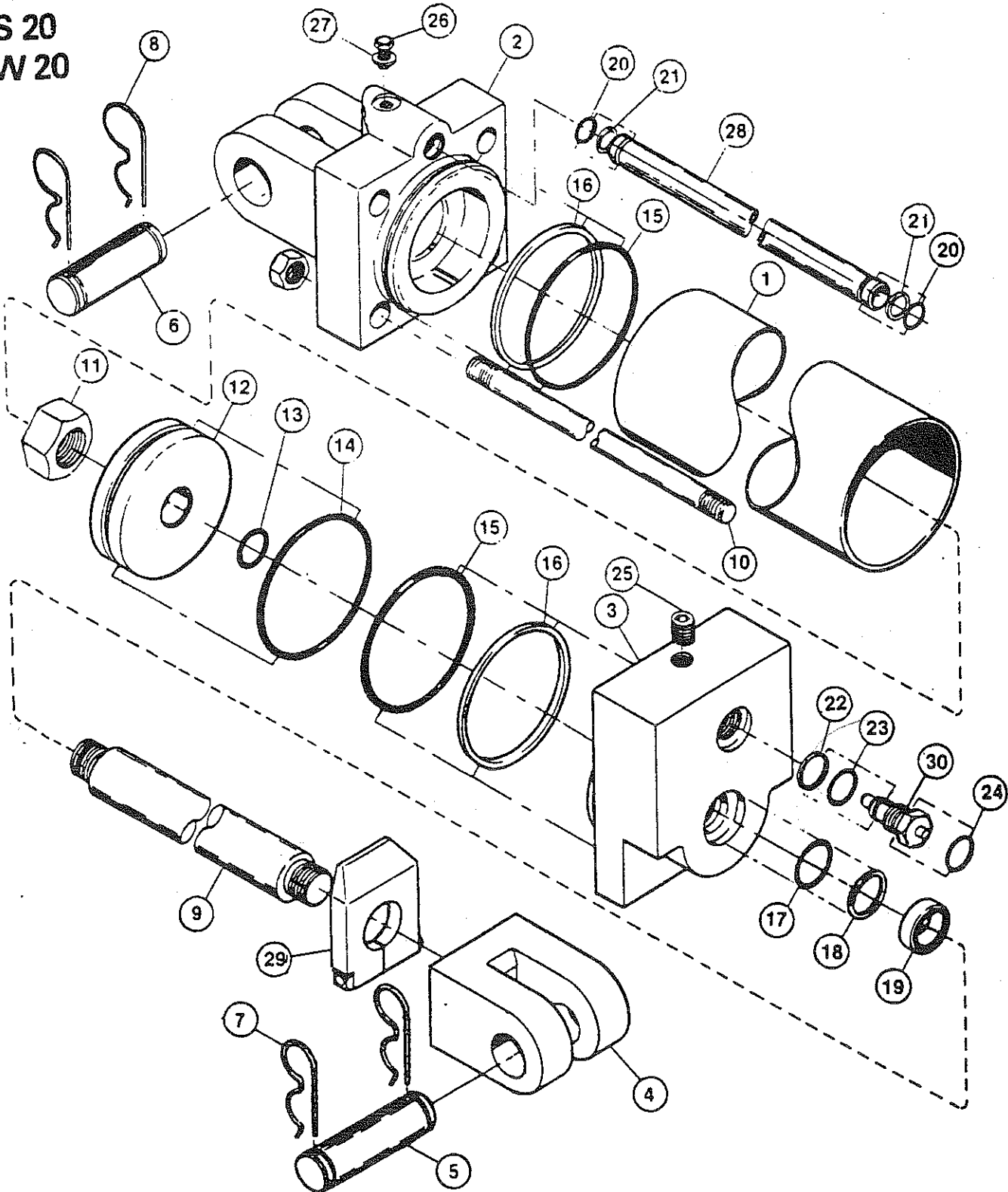


IPN  
IPS  
IPW  
IPN 20  
IPS 20  
IPW 20

# 4" BORE X 8" STROKE HYDRAULIC CYLINDER (INTERNAL DEPTH CONTROL) PRINCE - CYLINDER NO. 24027



**4" BORE X 8" STROKE  
HYDRAULIC CYLINDER (INTERNAL DEPTH CONTROL)  
PRINCE**

**RPN  
RPS  
RPW  
RPN 20  
RPS 20  
RPW 20**

\*Complete Cylinder Part No. 24027

4" Bore x 8" Stroke Hydraulic Cylinder with 1-1/2" diameter Piston Rod, Internal Depth Control, 1" diameter Mounting Pin and 3/4-16 S.A.E. #8 ports with O-ring seals.

REF. NO.	PART NO.	VENDER		DESCRIPTION
		PART NO.		
0	25707	PMCK	W559	Seal Kit for 4" x 8" Standard Prince Cylinder with Internal Depth Control
1	24142	051900285		Tube Casing 4" x 8" Cylinder
2	24103	141900038		Base Clevis
3	29552	081900125		Head
4	24005	100000043		Rod Clevis
5	24318	190400004		Clevis Pin
6	24318	190400004		Clevis Pin
7	24315	190600003		Spring Clip
8	24315	190600003		Spring Clip
9	24273	010800198		Piston Rod for 4" x 8" Cylinder
10	24274	170301131		Tie Rod and Nut
11	24143	220000210		Nut for Piston
12	24206	071900031		Piston
13				O-ring
14				O-ring, Large
15				O-ring Large
16				Back-up Washer, Large
17	Available in seal kit only.			O-ring, Base
18	Part No. 25707			Base, Back-up Washer
19	Vendor No.			Wiper Seal
20	PMCK W559			O-ring
21				Back-up Washer
22				Back-up Washer
23				O-ring
24				O-ring
25	24146	200300040		Plug
26	24314	170002028		Cap Screw
27	24316	220001602		Nyltite Seal
28	24317	050300152		Manifold Tube
29	24320	090000060		Striker Plate Assembly
30	24321	180900115		Valve Assembly

\*This cylinder is used on the lift system for 7510 D.O.T., 7410 Series D.O.T., RPN, RPS and RPW Rolling Plow.